



Acrylic Replacement Bathtub and Shower Pan
January 2015 Price Guide

TUB AND SHOWER BASE ORDERING INFORMATION

Ordering a bathtub or shower pan from Bathtub Network is simple. Orders can be placed by email by sending the requested items to **bathtubnetwork@hotmail.com** , or can be faxed to **517-996-6789**. If you wish to order by phone please call our office at **248-361-1156** to place your order or ask any questions. Once orders are placed please allow 7-10 days for your products to ship.

Payment is due when the product is ready to ship. Payment can be made by Visa, Mastercard, Discover, or American Express. Unless other arrangements have been made in advanced, an authorization for the amount due plus an estimated shipping cost will be placed on your credit card but will not be finalized until the product has been shipped. A pending charge on your bank account prior to shipping is an authorization hold to ensure funds are available. Final charges will be added to the total invoice once the shipping total has been billed

We ship via common carrier and used best available rates at the time of shipment. Please allow 4-5 Days from time of shipment to receive your products.

RECEIVING DAMAGED AND DEFECTIVE MATERIAL

Make sure to inspect all shipments when delivered. Bathtub Network cannot be held responsible for damage claims after products have been accepted by the customer. Please make sure to inspect product thoroughly BEFORE installation. If a defect is discovered after installation Bathtub Network's warranty DOES NOT cover any expenses related to the removal or re-installation of the base, although a replacement base will be provided in the event of a manufacturers defect. Please provide a clear photograph of the damaged area and we will process a claim for a replacement part.

Shipments that are delivered damaged are to be photographed, product damage if any is to be photographed. Photos are to be sent to bathtubnetwork@hotmail.com. Unclear photos of damages will delay the replacement process. Shipments that are refused due to damaged material are to be documents and brought to Bathtub Networks attention along with clear photos and carrier documents with drivers signature to ensure the replacement process is completed in a timely manner.

All claims MUST be brought to our attention within 5 calendar days of receiving your shipment.

QUICK REFERENCE PRICE GUIDE EFFECTIVE JANUARY 1, 2015

Bathtubs Standard Colors WHITE, BONE, BISCUIT

Model	Hand	Size	MSRP	Factor X	Your cost
BR-26	L/R	30X60	568.62	.5	284.31
BR-27	L/R	32X60	568.62	.5	284.31
BRA-30	No Skirt	30X60	1082.48	.5	541.24
BRA-38	No Skirt	32X60	1082.48	.5	541.24
BRA-25	No Skirt	36X60	1147.77	.5	573.89
BRA-31	No Skirt	30X60	1082.48	.5	541.24
BR-19	No Skirt	32X60	1082.48	.5	541.24
BRA-39	No Skirt	36X72	1194.10	.5	597.05
BR-24	No Skirt	36X60	1116.18	.5	558.09
BR-37	No Skirt	42X60	1194.10	.5	597.05
BR-20	Deck mnt	39X58	1274.13	.5	637.07
BR-40	Deck mnt	41X69	1684.80	.5	842.40

Please see back of price book for full description and picture of product

Shower Bases Standard Colors WHITE, BONE, BISCUIT

Size	MSRP	Your price	Size	MSRP	Your price
32X32 CD	648.65	324.32	54X34 CD	1023.52	511.76
34X34 CD	654.97	327.48	60X30 R/L	882.41	441.20
36X36 CD	648.65	324.32	60X32 R/L	1074.06	537.03
36X42 CD	979.29	489.64	60X32 CD	1074.06	537.03
42X34 CD	895.05	447.52	60X34 CD	1074.06	537.03
42X36 CD	979.29	489.64	60X32 ADA	1137.24	568.62
42X42 CD	1057.21	528.60	36X36 NEO	713.93	356.96
48X32 CD	840.29	420.14	38X38 NEO	844.51	422.25
48X34 CD	895.05	447.52	42X42 NEO	1057.21	528.60
48X36 CD	895.05	447.52	36X36 DbIths	810.81	405.40
48X48 CD	1074.06	537.03	42X44 CD	1710.07	855.03
36X43 CD	1710.07	855.03	42X36 L/R DbIths	1015.09	507.54

Additional Accessories

All bathtubs **EXCEPT** for the BR-26 and BR-27 can be converted into a Whirlpool tub

	MSRP	Your cost
6 Jet whirlpool upgrade for NON-Skirted bathtub	901.37	450.68
8 Jet whirlpool upgrade for NON-Skirted bathtub	998.24	449.12
16 Jet whirlpool upgrade for NON-Skirted bathtub	1895.40	947.70
In-line heat pumps (req 2 plugs)	410.67	205.33
Premium color up-grades Mexican Sand & Black	\$270	
Acrylic Skirt for Non-Skirted tub	301.16	150.58
Acrylic skirt with insert for Non-Skirted tub	480.17	240.08
Acrylic skirt for Non-Skirted corner tub	684.45	342.22
Upgraded metal whirlpool trim:		
Chrome Metal	400.14	200.07
Polished brass, antique brass	507.55	253.77
Brushed nickel	549.67	274.83
Venetian Bronze	591.79	295.89
Clean Way Whirlpool Cleaner (can be shipped directly to your customer)	67.39	33.69
Tub Tile Flange 14 ft length	44.23	22.11
Tub box charges		25.54
Shower Pan box charges		11.35

Anti-Microbial: Many of our products contain anti-microbial additives which is a substance that kills or inhibits the growth of microbes such as bacteria, fungi, or viruses. Anti-Microbials are substances that are incorporated into the manufacturing process when the plastic parts are made. The complete bathtub surface is anti-microbial and 80 percent of the air and water jet components are now anti-microbial. All normal cleaning procedures should still be followed.

Whirlpool Bathtub: A whirlpool bathtub is the general description of a bathtub built with therapeutic water jets. Each bathtub can be configured in hundreds of different configurations. We can put in as few as 4 jets or as many as 24 in some instances. We have a variety of jet options from standard colored matched plastic straight shooting water jets to whirly jets, large adjustable jets, mini-lateral jets strategically located for foot or back massage. There are also many different metal finishes available in (Chrome, Brushed Nickel, Polished Brass and Antique Oil Rubbed Bronze).

USE AND CARE GUIDE FOR WHIRLPOOL SYSTEM

1. Before initial operation of your new System take a few minutes to read instructions on its operations.
2. **Never** allow the whirlpool system to run without sufficient water in the tub. The pump is designed to be cooled by the water. Continued operation without water could damage seal or impeller.
3. **Never** allow small children in the bathtub without proper supervision.
4. Don't place small articles in the bathtub that could possibly enter into the jets or suction area.
5. If your system is operated by a timer or wall switch **always** set timer or switch while out of the bathtub.
6. If your system is operated by an air switch it can be turned on or off at any time while in the bathtub.
7. Make sure the eyeballs of all jets are turned in a downward position.
8. Do not add bubble bath, soaps, or oils to the water.
9. While in the bathtub you may start making the necessary adjustments for the most comforting and relaxing bathing experience:
 - Adjust the eyeball for the directional flow that most suits you.
 - By adjusting the Air Control(s) you can determine your own air and water mixture. The Air Control closed all the way will eliminate air from your jets. Open your control(s) a slight turn at a time until the suitable massage action is determined.
 - Be careful not to overdo your stay in the bathtub.

CLEANING TIPS

1 To properly clean an acrylic bathtub it is recommended to wipe the surface with a damp cloth or sponge using household soap or liquid detergent. Stubborn dirt or stains may be removed using Spic & Span in powder form or equivalents. **DO NOT** use any cleaning products containing abrasive or solvents since these could dull the brilliant surface. Products are like Bon-Ami, Comet, Ajax, or Lysol are not recommended. Harsh chemicals should never be used on acrylic surfaces.

2 **Whirlpool Systems:** It is necessary to regularly clean your Whirlpool System, especially when taking oil baths. Normal cleaning should be about once a month.

1. Fill your bathtub with warm water.
2. Add 1 cup of Clean*Way or call for other recommended products.
3. Turn your system on and allow it to run for about 10 minutes.
4. Drain bathtub.
5. Fill your tub once again with water and allow your system to run another 10 minutes, purging all soap from the lines.

Drain tub. You should now have a clean and sanitary whirlpool system.

WARRANTY

To all original purchasers of its products, Bathtub Network, warrants its motors free from defects in material and workmanship for a period of five years and limited life time warranty on the pump and whirlpool components.

Products which fail or become defective during the warranty period, except as a result of freezing, accident, negligence, improper installation, use, or care, shall be repaired or replaced at our option, without charge within 90 days of receipt of defective products, barring unforeseen delays.

Bathtub network shall not be responsible for cartage, removal, and/or re-installation labor, or any other such costs incurred in obtaining warranty replacements.

Some states do not allow a limitation on how long an implied warranty lasts, or the exclusion or limitation of incidental or consequential damages, so the above limitations or exclusion may not apply to you.

This warranty gives you specific legal rights, and you may also have other rights which vary from state to state.

Pump: Bathtub Network. is not responsible for loss of the system or inconvenience, loss or damage to personal property or their consequential damage.

Bathtub Network extends a limited lifetime warranty to all original purchasers of its pumps that they are free from defects in materials and workmanship. Note: Alteration of pump location voids warranty.

The limited lifetime warranty applies only on the plastic pump as manufactured by Bathtub Network and specifically excludes all components and/or parts which are accessories therein. The motor/air switch is warranted for a period of five (5) years by the manufacturer to the original purchaser from the date of purchase.

Products which fail or become defective during warranty period shall be repaired or replaced at our option without charge and within 60 days of receipt of the defective product.

In case of removal or replacements, the purchaser assumes the responsibility for labor expenses for service, removal, and re-installation; unless a service labor agreement exists between the purchaser and dealer.

The warranties made above are only warranties on the separate components of the system. Improper or negligent installation of your tub with the plumbing, electrical hook-up connections, or alterations or modifications to the system are not covered by any warranty, expressed or implied. This is the only expressed or implied warranty given by Bathtub Network

BATHTUB WARRANTY

We warranty to the original purchaser and the original user for a time of 5 years with original Proof of Purchase that our bathtubs

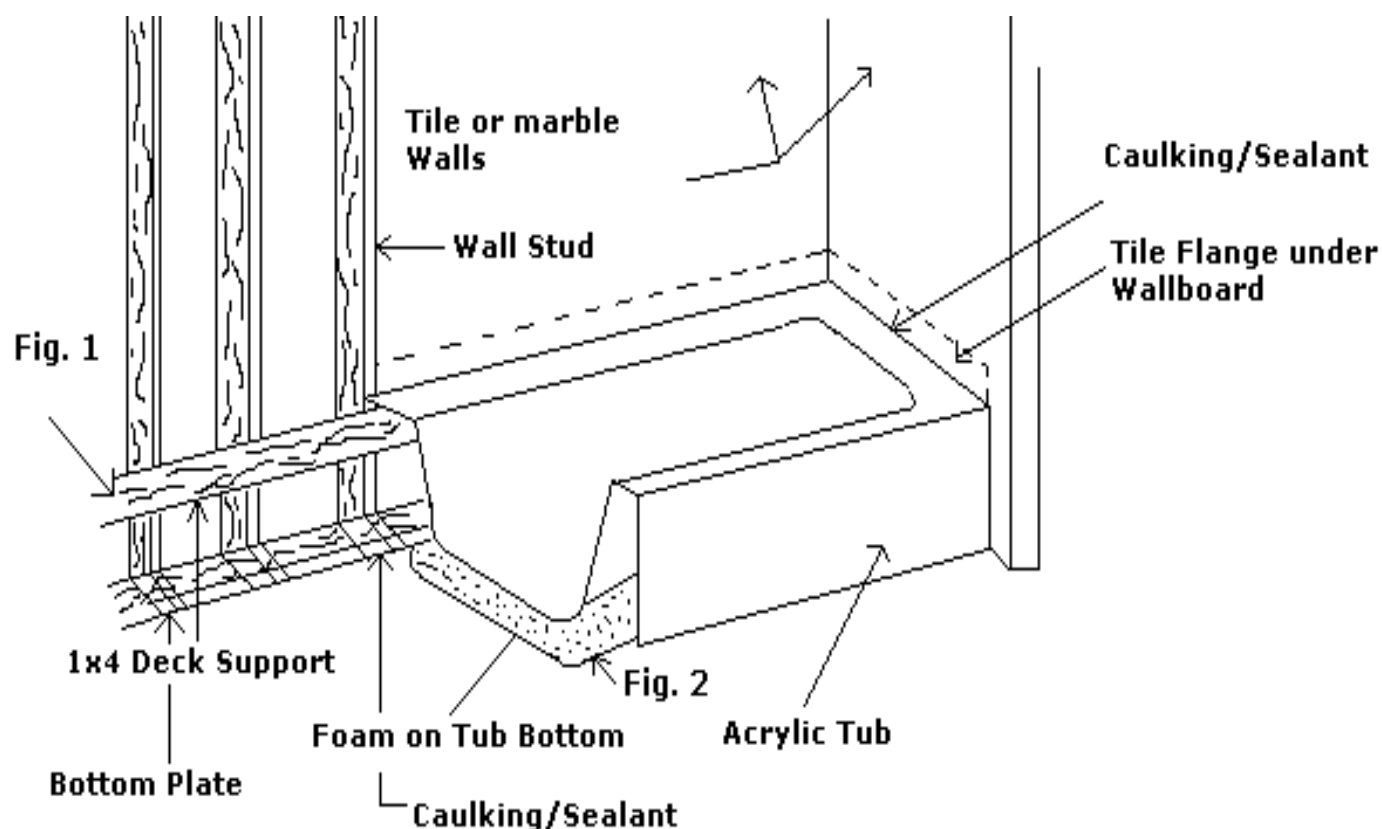
1. Will be free from manufacturing defects
2. Will not chip, blister or delaminate

1 Our liability is limited only to repair or replacement of the product at the point of original purchase F.O.B. Factory. We shall not be held liable for any installation cost, labor or damage incurred from removal or reinstallation. This warranty does not apply to products installed in commercial properties (rental properties, motels, hotels, etc.) This warranty does not apply to whirlpool units or any damage relating to installation of the whirlpool system. Your whirlpool system should be covered under a separate warranty.

2 This warranty will not apply if:

1. Tub is not installed according to our instructions or not installed according to local building codes and ordinances.
2. If moved from original point of installation.
3. If proper care and customary cleaning instructions are not followed.
4. If bathtub is subjected to abuse, mishandling or accident.

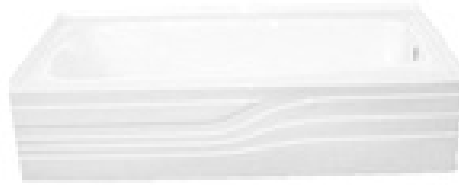
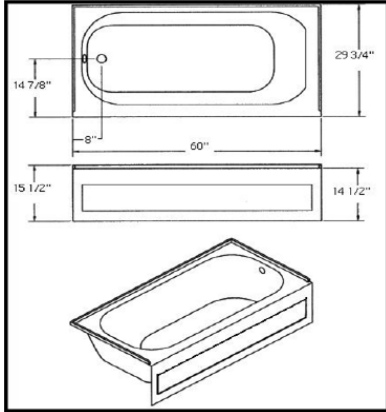
Not warranted outside the United States.



(1) Level tub as shown in Fig. 1 and nail a 1" x 4" around three walls on underside of bathtub deck so the tub deck will sit on top of the 1" x 4"s. It is very IMPORTANT to install the nailer, which will stabilize the tub deck. Without the nailer to sit on, your tub deck will warp and break the silicone allowing water to leak onto the floor, rotting your frame structure.

(2) All of our tubs come with a pre installed foam bottom that is pre-leveled. This bottom must sit flat on the floor not raised above it. This gives the bottom of the tub the support it needs to prevent damages to the acrylic laminate and good solid support of the tub. If it is raised above the floor you will need to mix mortar in a garbage bag and set it under the tub to give the bottom full support, while still having the 1" x 4" deck supports.

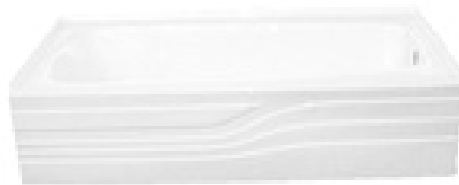
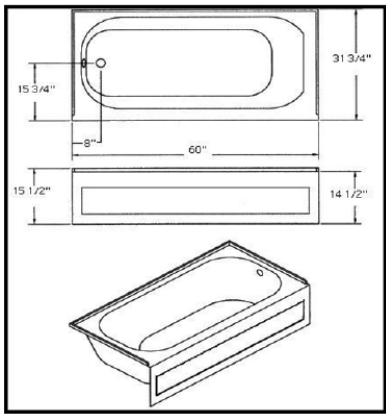
IMPORTANT!!!
BOTTOM OF TUB MUST BE SUPPORTED
WITH FOAM, MORTAR OR OTHER LIKE
MATERIALS OTHERWISE
WARRANTY WILL BE VOIDED



BR-26 30"X60"

\$284.31
Plus freight

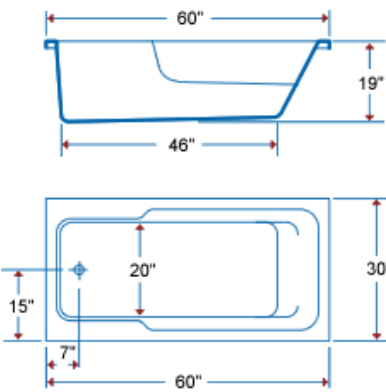
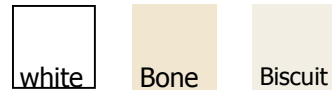
- Standard Features**
 Integral skirt
 Left or right drain
 30 Gallons
 Pre leveled thermofoam base



BR-27 32"X60"

\$284.31
Plus freight

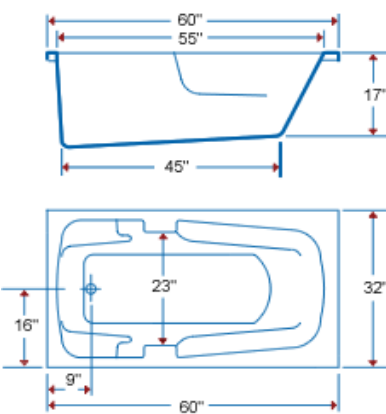
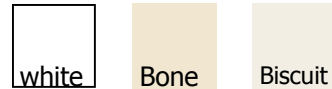
- Standard Features**
 Integral skirt
 Left or right drain
 32 Gallons
 Pre leveled thermofoam base



BRA-30 30"X60"

\$541.24
Plus freight

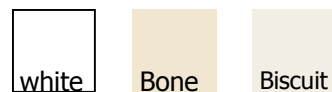
- Deck mount or Left/Right alcove**
 Integral Arm Rests
 58 Gallons
 Pre leveled thermofoam base
 Requires separate skirt front

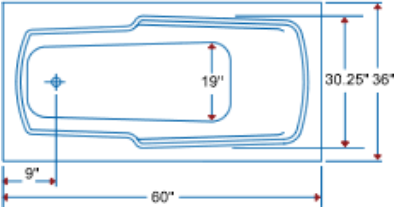
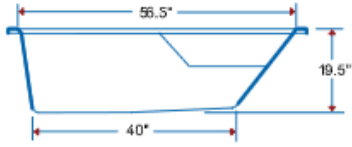


BRA-38 32"X60"

\$541.24
Plus freight

- Deck mount or Left/Right alcove**
 Integral arm rests
 58 Gallons
 Pre leveled thermofoam base
 Requires separate skirt front

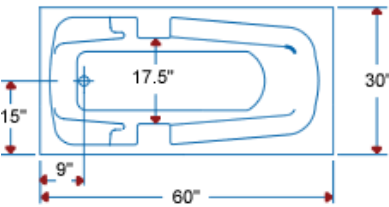
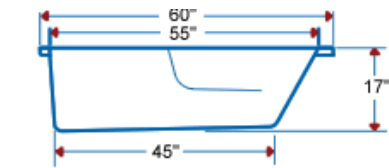




BRA-25 36"X60"

\$573.89
Plus freight

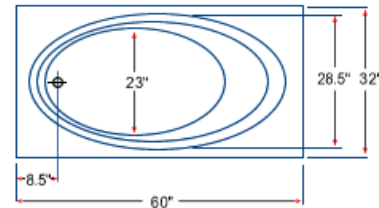
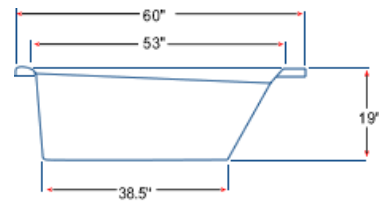
Deck mount or Left/Right alcove
Integral Armrests
Deck mounted faucets
60 Gallons - Deck mounted faucet
Pre leveled thermofoam base
Requires separate skirt front



BRA-31 30"X60"

\$541.24
Plus freight

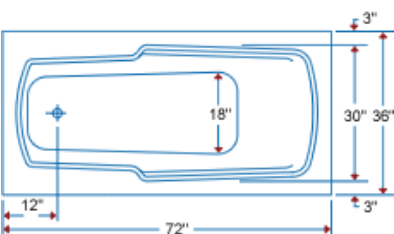
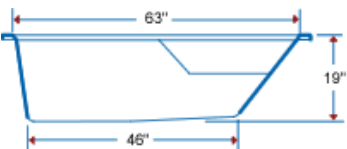
Deck mount or Left/Right alcove
Integral Arm Rests and soapdish
53 Gallons
Pre leveled thermofoam base
Requires separate skirt front



BR-19 32"X60"

\$541.24
Plus freight

Deck mount or Left/Right alcove
Oval Bowl
54 Gallons
Pre leveled thermofoam base
Requires separate skirt front

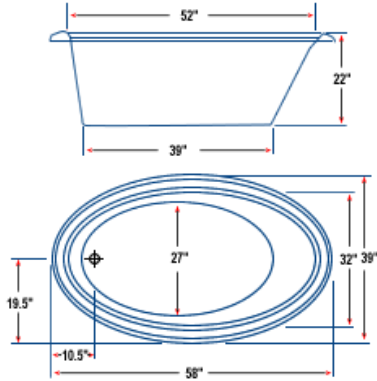


BRA-39 36"X72"

\$597.05
Plus freight

Deck mount or Left/Right alcove
Integral Armrests
70 Gallons
Pre leveled thermofoam base

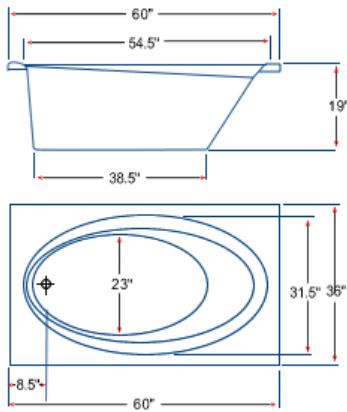
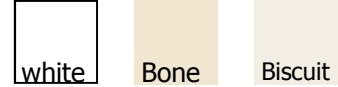




BR-20 39"X58"

\$637.07
Plus freight

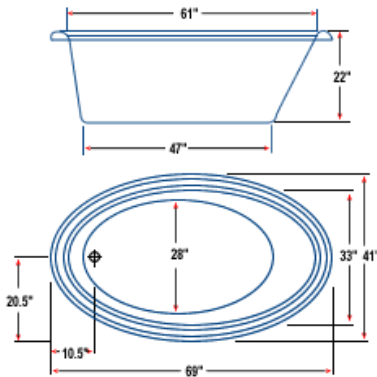
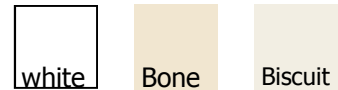
Deck mount only
Oval Bowl
65 Gallons
Pre leveled thermof foam base



BR-24 36"X60"

\$558.09
Plus freight

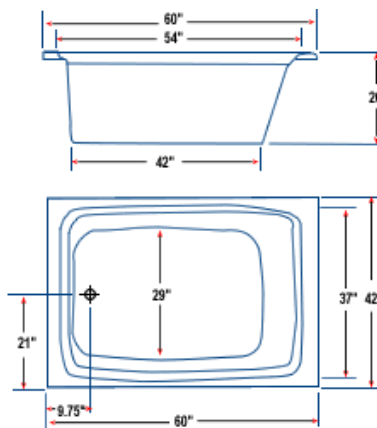
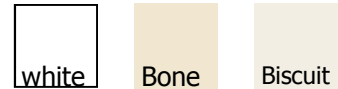
Deck mount or Left/Right alcove
Oval Bowl
55 Gallons
Pre leveled thermof foam base
Requires separate skirt front



BR-40 41"X69"

\$842.40
Plus freight

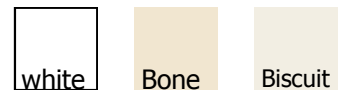
Deck mount only
Oval Bowl
82 Gallons
Pre leveled thermof foam base



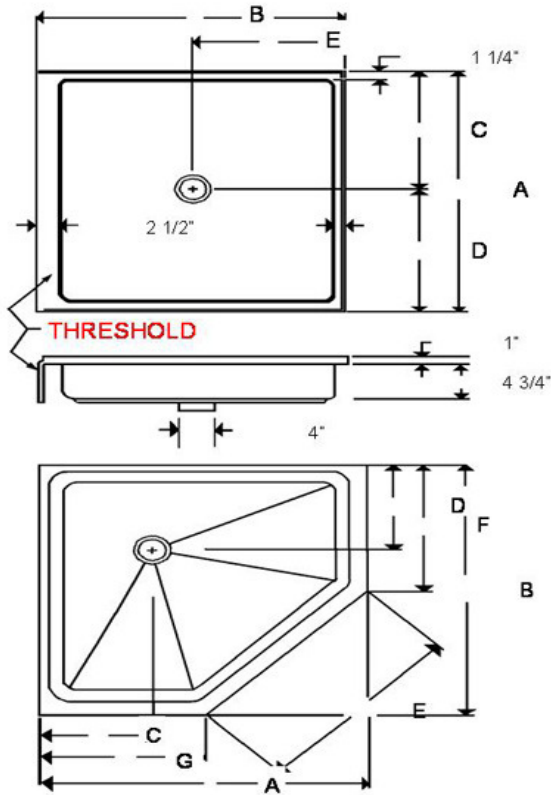
BR-37 42"X60"

\$597.05
Plus freight

Deck mount or Left/Right alcove
70 Gallons
Pre leveled thermof foam base
Requires separate skirt front



Shower Pan Guide



RECESS MODELS

One-piece, single threshold model for recessed installation. Features 1" tiling flange on three remaining sides. The 1st two numbers under model indicates threshold side

SINGLE THRESHOLD

MODEL	A	B	C	D	E
3232	32"	32"	16"	16"	16"
3434	34"	34"	17"	17"	17"
4234	42"	34"	21"	21"	17"
4836	48"	36"	24"	24"	17"
3642	36"	42"	18"	18"	21"
3636	36"	36"	18"	18"	17"
4242	42"	42"	21"	21"	21"
4834	48"	34"	24"	24"	17"
4236	42"	36"	21"	21"	17"
4832	48"	32"	24"	24"	16"
4842	48"	42"	24"	24"	17"
4848	48"	48"	24"	24"	23.5"
5434C	54"	32"	27"	27"	17"
6030L	60"	30"	10"	50"	15"
6030R	60"	30"	50"	10"	15"
6032C	60"	32"	30"	30"	16"
6032L	60"	32"	6"	54"	16"
6032R	60"	32"	54"	6"	16"
6034C	60"	34"	30"	30"	17"

*3636D	36"	36"	18"	18"	18"
*4236DL	42"	36"	21"	21"	17"
*4236DR	42"	36"	21"	21"	17"

DOUBLE THRESHOLD

* L=LEFT DRAIN
 R=RIGHT DRAIN
 D=DBL THRESHOLD
 DL=DBL LEFT THRESHOLD
 DR=DBL RIGHT THRESHOLD

BR-16 SHOWER PAN

4244	42"	44"	21"	21"	26"
3643	36"	43"	18"	18"	25"

NEO-ANGLE

MODEL	A	B	C	D	E	F	G
*4242N	42"	42"	21"	21"	30"	21"	21"
*3838N	38"	38"	15.5"	15.5"	27"	19"	19"
*3636N	36"	36"	12"	12"	26"	18"	18"

32"X32"	CD	324.32	54"X34"	CD	511.76
34"X34"	CD	327.48	60"X30"	R/L	441.20
36"X36"	CD	324.32	60"X32"	R/L	537.03
36"X42"	CD	489.64	60"X32"	CD	537.03
42"X34"	CD	447.52	60"X34"	CD	537.03
42"X36"	CD	489.64	60"X32"	ADA	568.62
42"X42"	CD	528.60	36"X36"	NEO	356.96
48"X32"	CD	420.14	38"X38"	NEO	422.25
48"X34"	CD	447.52	42"X42"	NEO	528.60
48"X36"	CD	447.52	42X44	SHRPAN	855.03
48"X48"	CD	537.03	36X36	DBLTHS	405.40
36X43	SHRPAN	855.03	42X36	DBL R/L	507.54

All Pans available in:

